

# COLDEX

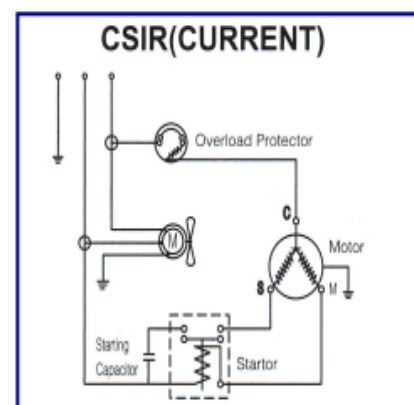
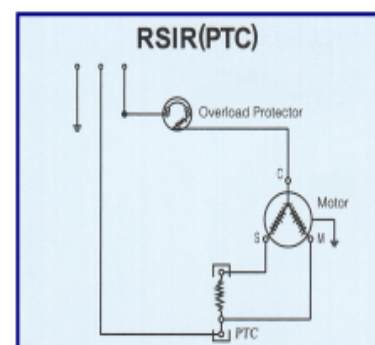
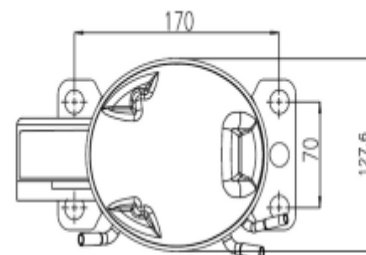
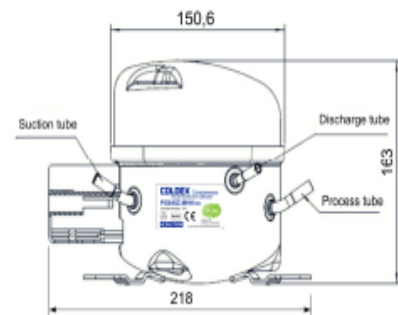
compressors

## PG045Z.MHN

MBP-HBP Reciprocating Compressor  
R134a 220-240V/50-60Hz  
RSIR/CSIR  
DATASHEET



MODEL	PG045Z.MHN	
Displacement (cc)	4.5	
Rated voltage / Frequency	220-240V/50-60 Hz	
Refrigerant	R134a	
Oil quantity (cm <sup>3</sup> )	140	
Cooling	Static	
<b>BASIC DATA</b>		
Voltage range (V)	220-240V	
Application	MBP-HBP	
Evaporator Temperature Range (°C)	-15/15	
Maximum Ambient Temperature (°C)	43	
Expansion Device	Capillary tube	
Motor Type	RSIR/CSIR	
<b>ACCESSORIES</b>		
Devices	Q.ty	Type
Protector	1	PG045Z.MHN
Protector buckle	/	
Starting Relay (PTC)	1	Relay 2068
Cover	1	
Cover buckle	1	
Starting Capacitor (CSIR) ver	1	50/60MF 330V
Earth screw assembly	1	
Rubber mat	4	
Sleeve	4	
<b>DIMENSIONS TABLE</b>		
Height (mm)	163	
(S) Suction tube inner diameter (mm)	Ø 6.2±0.1	
(P) Process tube inner diameter (mm)	Ø 6.2±0.1	
(D) Discharge tube inner diam (mm)	Ø 5.0±0.1	
Compressors per pallet (pcs)	140	



PERFORMANCE PARAMETER				
TEST CONDITIONS	Cond. Temp. 54.4°C		Amb. Temp. 32.2°C	
	Subcooling Temp. 46.1°C		Suction Temp. 35°C	
Test voltage	220V/50 Hz			
Evaporating Temp. (°C)	-10	-5	0	+7.2
Cooling capacity (W) (≥95%)	188	238	295	390
Cooling capacity (Kcal/h)	162	205	254	335
Cooling capacity (BTU/h)	641	812	1007	1331

Specifications subject to change without notice

